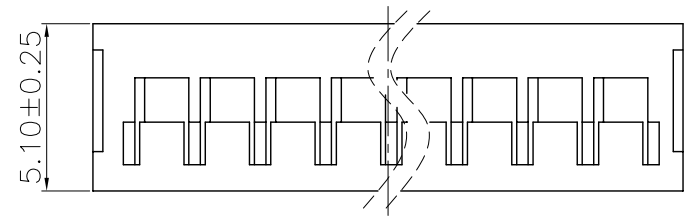
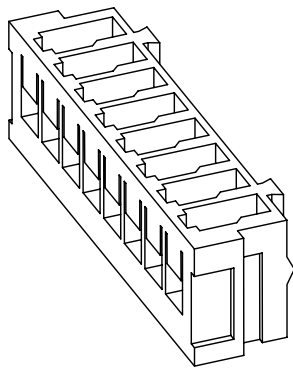
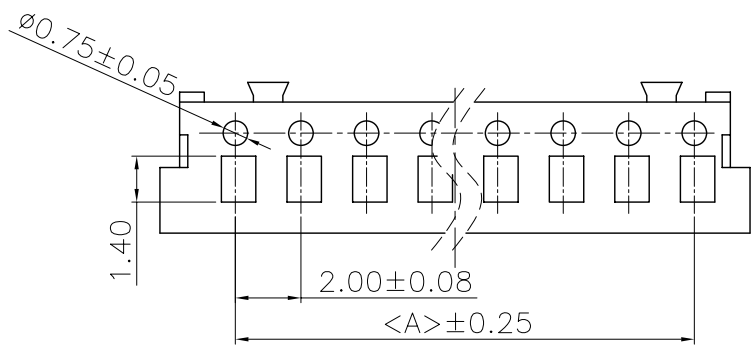
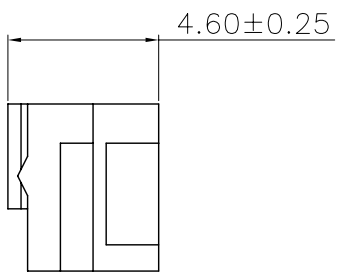
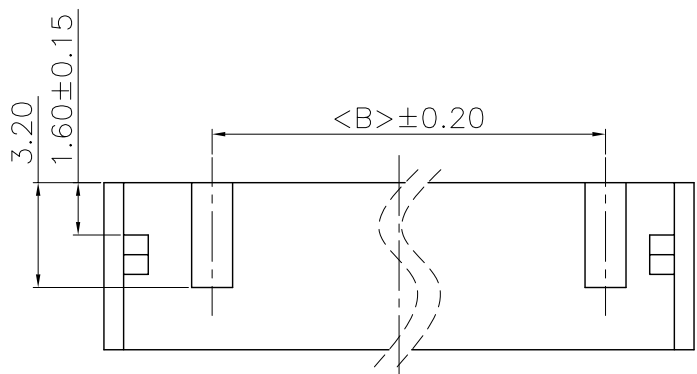
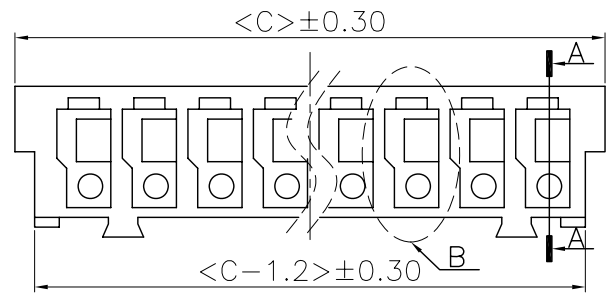


REV.	ECN NO.	DESCRIPTION	DATE	DESIGN
A				



Specifications:  
 Current rating:4A AC/DC.  
 Voltage rating:125V AC/DC  
 Temperature range:-40°C~+105°C.  
 Contact resistance:10MΩ Max.  
 Insulation resistance:1000MΩ Min.  
 Withstanding voltage: 1000V AC/minute.  
 Material:PA66.UL94V-0.

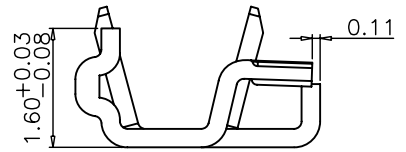
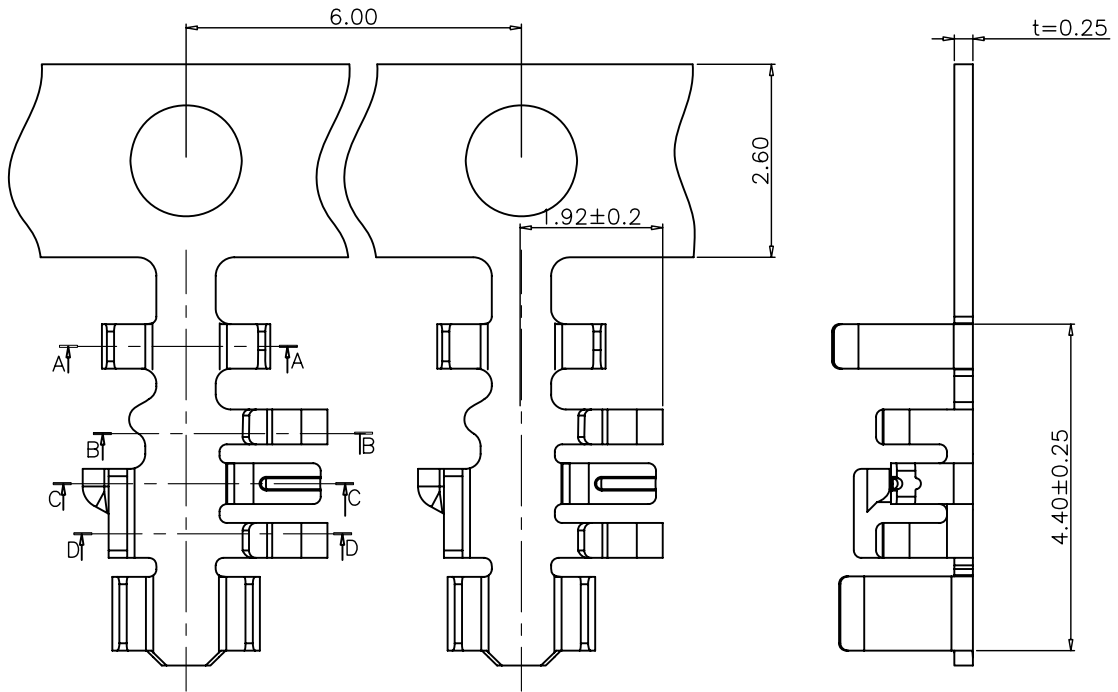
PART NO.	Dimensions		
	A	B	C
A2007H-02P	2.00	/	6.00
A2007H-03P	4.00	/	8.00
A2007H-04P	6.00	4.00	10.00
A2007H-05P	8.00	6.00	12.00
A2007H-06P	10.00	8.00	14.00
A2007H-07P	12.00	10.00	16.00
A2007H-08P	14.00	12.00	18.00
A2007H-09P	16.00	14.00	20.00
A2007H-10P	18.00	16.00	22.00
A2007H-11P	20.00	18.00	24.00
A2007H-12P	22.00	20.00	26.00
A2007H-13P	24.00	22.00	28.00
A2007H-14P	26.00	24.00	30.00
A2007H-15P	28.00	26.00	32.00
A2007H-16P	30.00	28.00	34.00

**CNJM** Joint More Precision electronics Co.,Ltd.

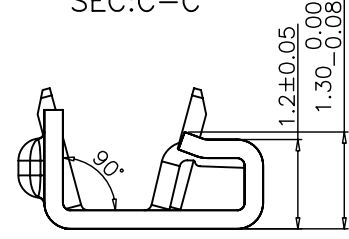
DRAW NO.	DATE	P/N NO:	DRAW NAME:
DESIGN: 陈雪峰	2017.06.03	A2007H-NP	2.00mm pitch housing
CHECK: 杨焯		REV. A/1	SCALE 1:1
REVIEW:		UNIT: mm	SHEET: 1 OF 1

DIM	TOL	DIM	TOL
X.	/	X'	/
X.X	0.25	X.X'	/
X.XX	0.15	X.XX'	/
X.XXX	0.10	X.XXX'	/

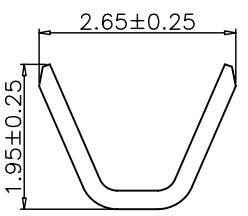
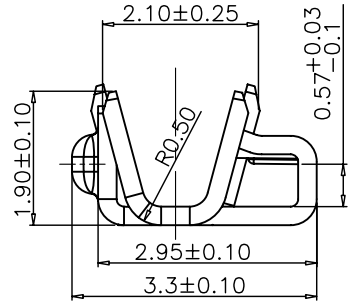
REV	ECN NO.	DESCRIPTION	DATE	DESIGN
A				



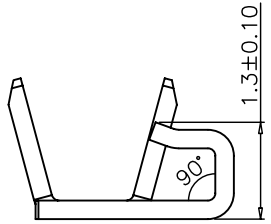
SEC:C-C



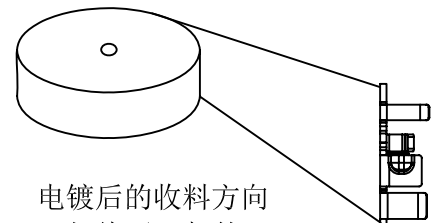
SEC:D-D



SEC:A-A



SEC:B-B



电镀后的收料方向  
(打线开口朝外)

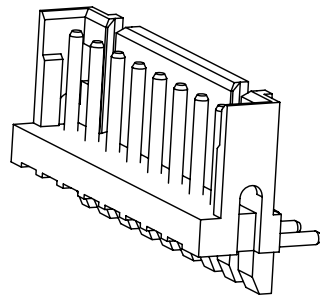
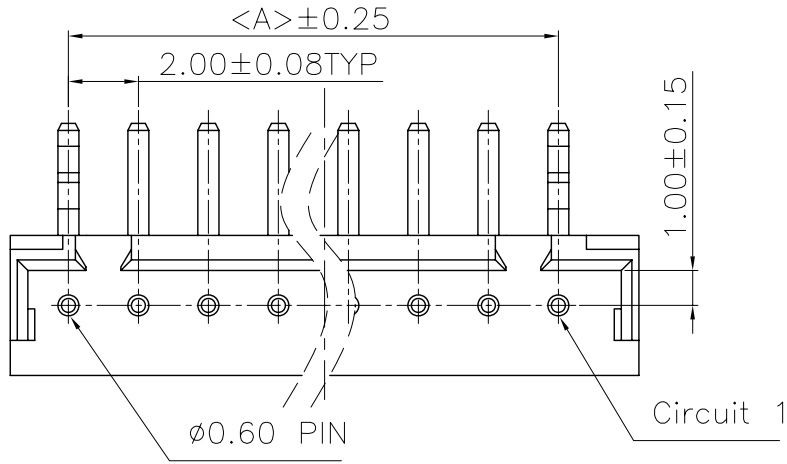
**CNJM** Joint More Precision electronics Co.,Ltd.

Part NO.	Wire range	Insulation O.D.	Materials	Finish	Qty/reel
A2007-XXX	AWG#22-26	1.5mm(max)	Phosphor Bronze	Tin-plated	10000PCS

DIM	TOL	DIM	TOL
X.	/	X*	/
X.X	0.25	X.X*	/
X.XX	0.15	X.XX*	/
X.XXX	0.10	X.XXX*	/

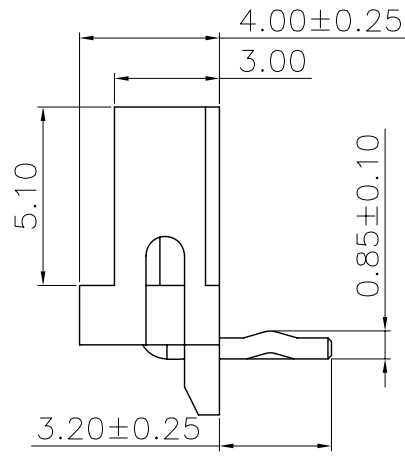
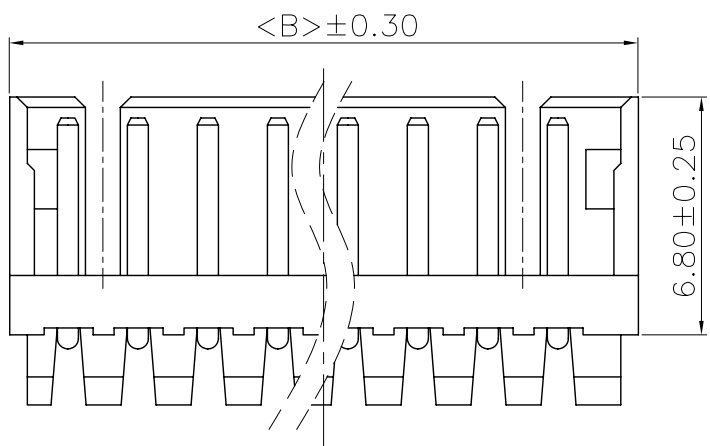
DRAW NO.	DATE	P/N NO.	DRAW NAME:
DESIGN: 陈雪峰	2017.06.03	A2007-XXX	2.0mm pitch Terminal
CHECK: 杨焯			
REVIEW:		REV.A/1	SCALE 1:1
		UNIT: mm	SHEET: 1 OF 1

REV.	ECN NO.	DESCRIPTION	DATE	DESIGN
A				

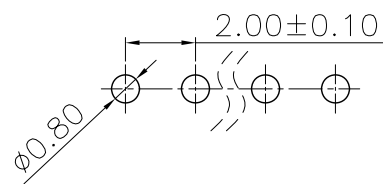


Specifications:  
 Current rating:4A AC/DC.  
 Voltage rating:125V AC/DC  
 Temperature range:−40°C~+105°C.  
 Contact resistance:10MΩ Max.  
 Insulation resistance:1000MΩ Min.  
 Withstanding voltage: 1000V AC/minute.  
 Material:PA66.UL94V-0.

PART NO.	Dimensions	
	A	B
A2007WR-02P	2.00	5.96
A2007WR-03P	4.00	7.95
A2007WR-04P	6.00	9.96
A2007WR-05P	8.00	11.96
A2007WR-06P	10.00	13.96
A2007WR-07P	12.00	15.96
A2007WR-08P	14.00	17.96
A2007WR-09P	16.00	19.96
A2007WR-10P	18.00	21.96
A2007WR-11P	20.00	23.96
A2007WR-12P	22.00	25.96
A2007WR-13P	24.00	27.96
A2007WR-14P	26.00	29.96
A2007WR-15P	28.00	31.96



Recommended P.C.B Layout(Top Side)  
 P.C.B Thickness = 1.20mm (Tolerance=±0.05)

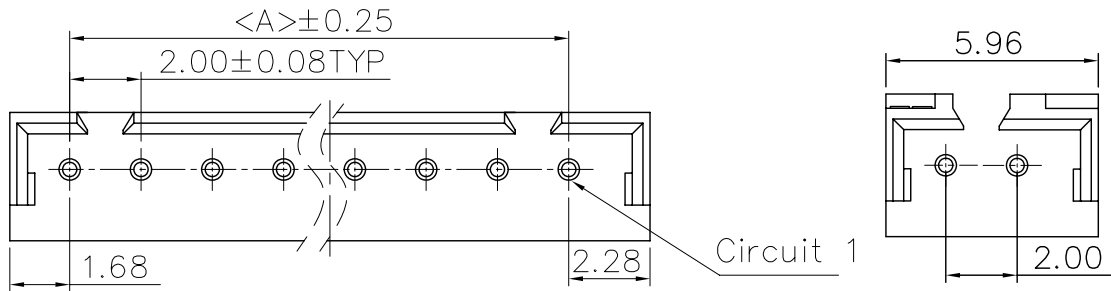


DIM	TOL	DIM	TOL
X.	/	X'	/
X.X	0.25	X.X'	
X.XX	0.15	X.XX'	
X.XXX	0.10	X.XXX'	/

**CNJM** Joint More Precision electronics Co.,Ltd.

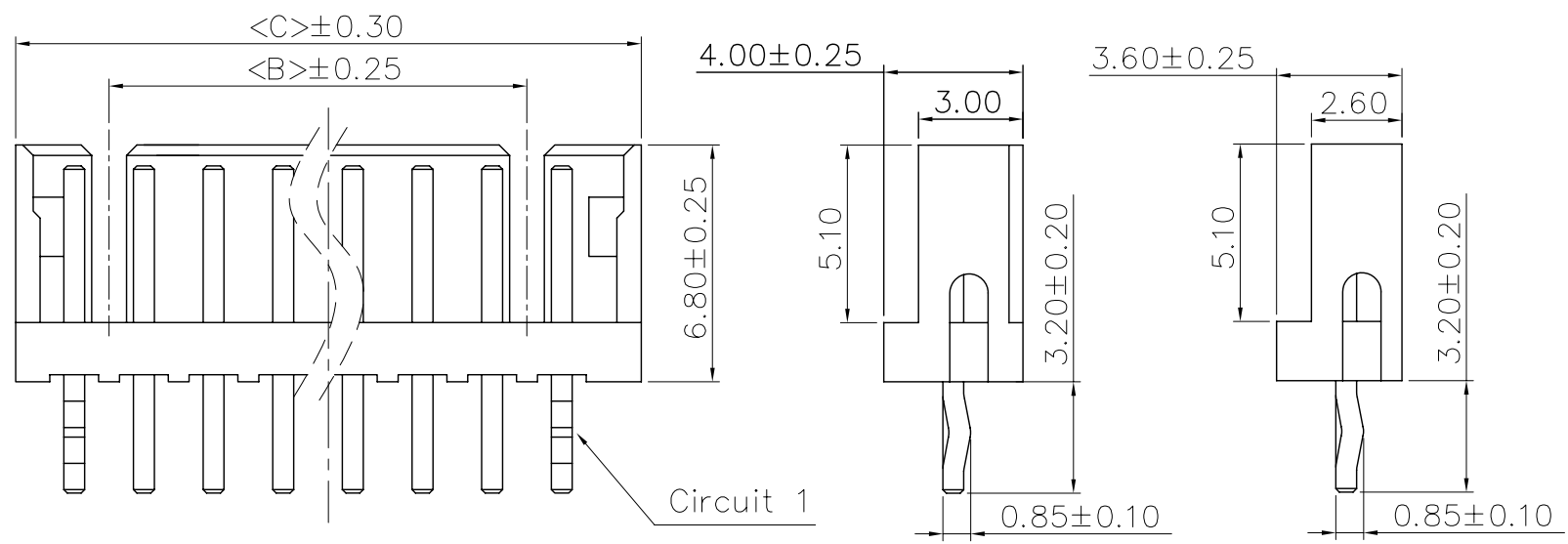
DRAW NO.	DATE	P/N NO:	DRAW NAME:
DESIGN: 陈雪峰	2017.06.03	A2007WR-NP	2.0mm pitch wafer
CHECK: 杨焯			
REVIEW:		REV. A/1	SCALE 1:1
		UNIT: mm	SHEET: 1 OF 1

REV.	ECN NO.	DESCRIPTION	DATE	DESIGN
A		增加2P的图、变更2P的尺寸	17.07.10	苏亮



2P 专用

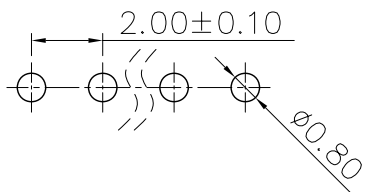
Specifications:  
 Current rating: 4A AC/DC.  
 Voltage rating: 125V AC/DC  
 Temperature range: -40°C~+105°C.  
 Contact resistance: 10MΩ Max.  
 Insulation resistance: 1000MΩ Min.  
 Withstanding voltage: 1000V AC/minute.  
 Material: PA66.UL94V-0.



2P 专用

PART NO.	Dimensions		
	A	B	C
A2007WV-02P	2.00		5.96
A2007WV-03P	4.00		7.95
A2007WV-04P	6.00	4.00	9.96
A2007WV-05P	8.00	6.00	11.96
A2007WV-06P	10.00	8.00	13.96
A2007WV-07P	12.00	10.00	15.96
A2007WV-08P	14.00	12.00	17.96
A2007WV-09P	16.00	14.00	19.96
A2007WV-10P	18.00	16.00	21.96
A2007WV-11P	20.00	18.00	23.96
A2007WV-12P	22.00	20.00	25.96
A2007WV-13P	24.00	22.00	27.96
A2007WV-14P	26.00	24.00	29.96
A2007WV-15P	28.00	26.00	31.96

Recommended P.C.B Layout(Top Side)  
 P.C.B Thickness = 1.20mm (Tolerance=±0.05)

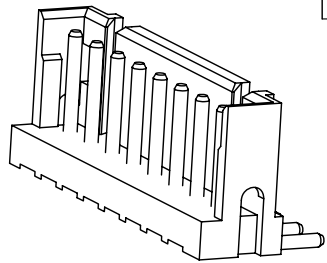
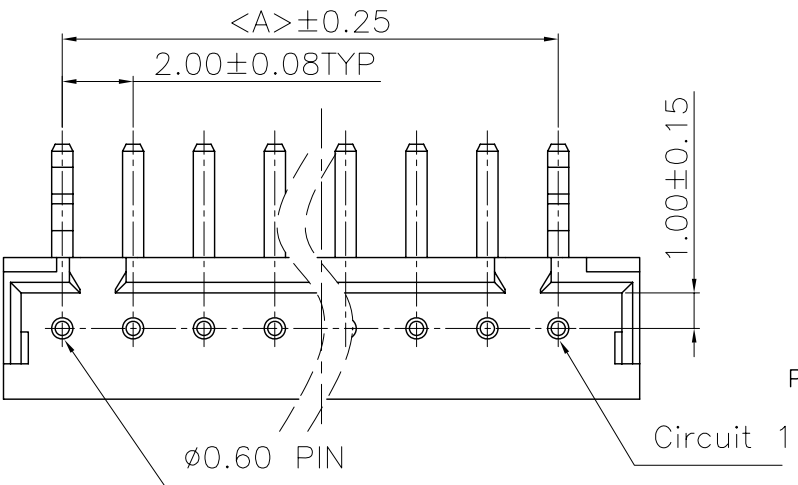


**CNJM** Joint More Precision electronics Co.,Ltd.

DRAW NO.	DATE	P/N NO:	DRAW NAME:
DESIGN: 陈雪峰	2017.06.03	A2007WV-NP	2.0mm pitch 180°wafer
CHECK: 杨 焯			
REVIEW:		REV. A/1	SCALE 1: 1
		UNIT: mm	SHEET: 1 OF 1

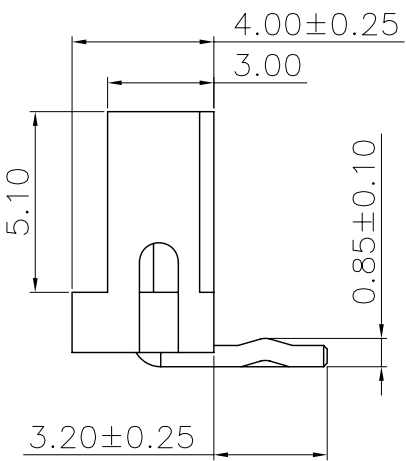
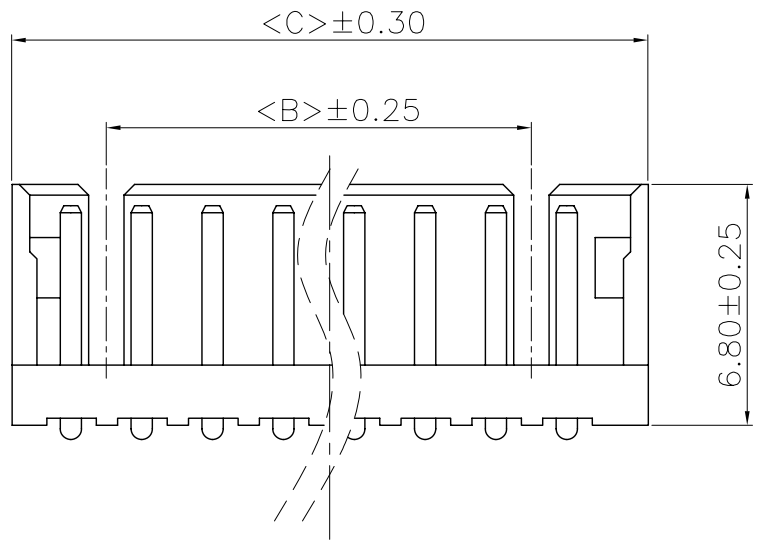
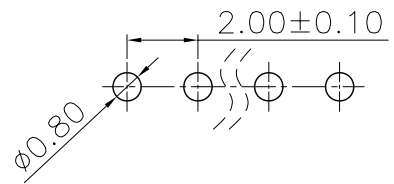
DIM	TOL	DIM	TOL
X.	/	X*	/
X.X	0.25	X.X*	
X.XX	0.15	X.XX*	
X.XXX	0.10	X.XXX*	/

REV.	ECN NO.	DESCRIPTION	DATE	DESIGN
A				



Specifications:  
 Current rating:4A AC/DC.  
 Voltage rating:125V AC/DC  
 Temperature range:-40°C~+105°C.  
 Contact resistance:10MΩ Max.  
 Insulation resistance:1000MΩ Min.  
 Withstanding voltage: 1000V AC/minute.  
 Material:PA66.UL94V-0.

Recommended P.C.B Layout(Top Side)  
 P.C.B Thickness = 1.20mm (Tolerance=±0.05)



PART NO.	Dimensions		
	A	B	C
A2007WVR-02P	2.00	/	5.96
A2007WVR-03P	4.00	/	7.95
A2007WVR-04P	6.00	4.00	9.96
A2007WVR-05P	8.00	6.00	11.96
A2007WVR-06P	10.00	8.00	13.96
A2007WVR-07P	12.00	10.00	15.96
A2007WVR-08P	14.00	12.00	17.96
A2007WVR-09P	16.00	14.00	19.96
A2007WVR-10P	18.00	16.00	21.96
A2007WVR-11P	20.00	18.00	23.96
A2007WVR-12P	22.00	20.00	25.96
A2007WVR-13P	24.00	22.00	27.96
A2007WVR-14P	26.00	24.00	29.96
A2007WVR-15P	28.00	26.00	31.96

**CNJM** Joint More Precision electronics Co.,Ltd.

DIM	TOL	DIM	TOL
X.	/	X'	/
X.X	0.25	X.X'	/
X.XX	0.15	X.XX'	/
X.XXX	0.10	X.XXX'	/

DRAW NO.	DATE	P/N NO:	DRAW NAME:
DESIGN: 陈雪峰	2017.03.27	A2007WVR-NP	2.0mm pitch wafer平弯
CHECK: 杨焜		REV. A/1	SCALE 1:1
REVIEW:		UNIT: mm	SHEET: 1 OF 1