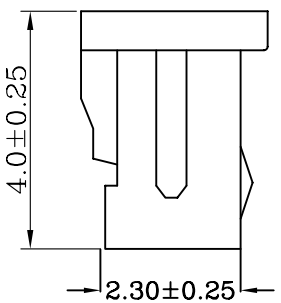
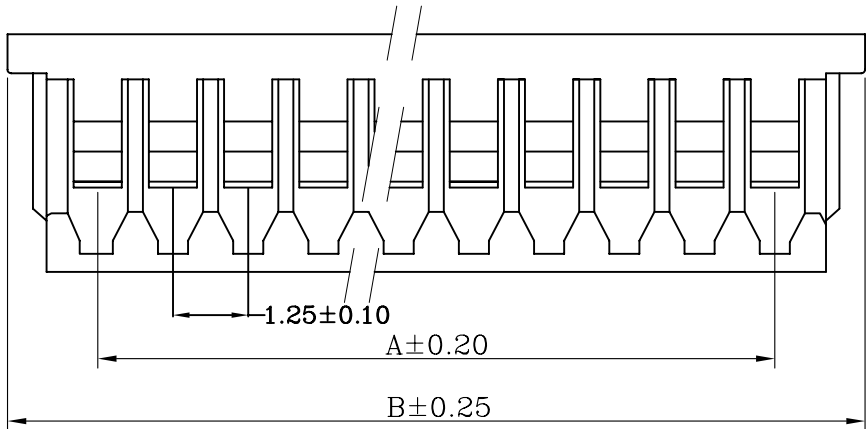
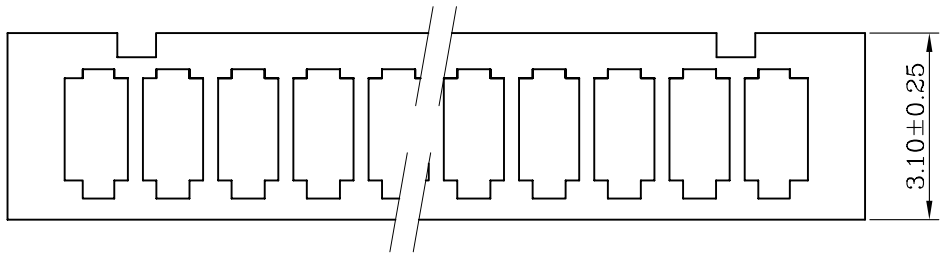


REV.	ECN NO.	DESCRIPTION	DATE	DESIGN
A				

NOTES:
 CURRENT RATING:1A AC/DC.
 VOLTAGE RATING:125V AC/DC
 TEMPERATURE RANGE:-40°C~+105°C.
 CONTACT RESISTANCE:20MΩ Max.
 INSULATION RESISTANCE:100MΩ Min.
 WITHSTANDING VOLTAGE:500V AC/MINUTE.
 WATRLAL:NYLON 66.UL94V-0.

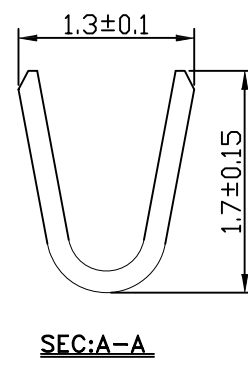
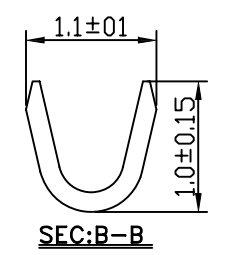
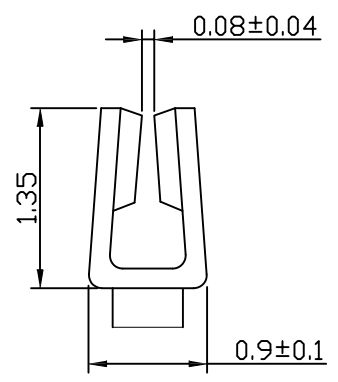
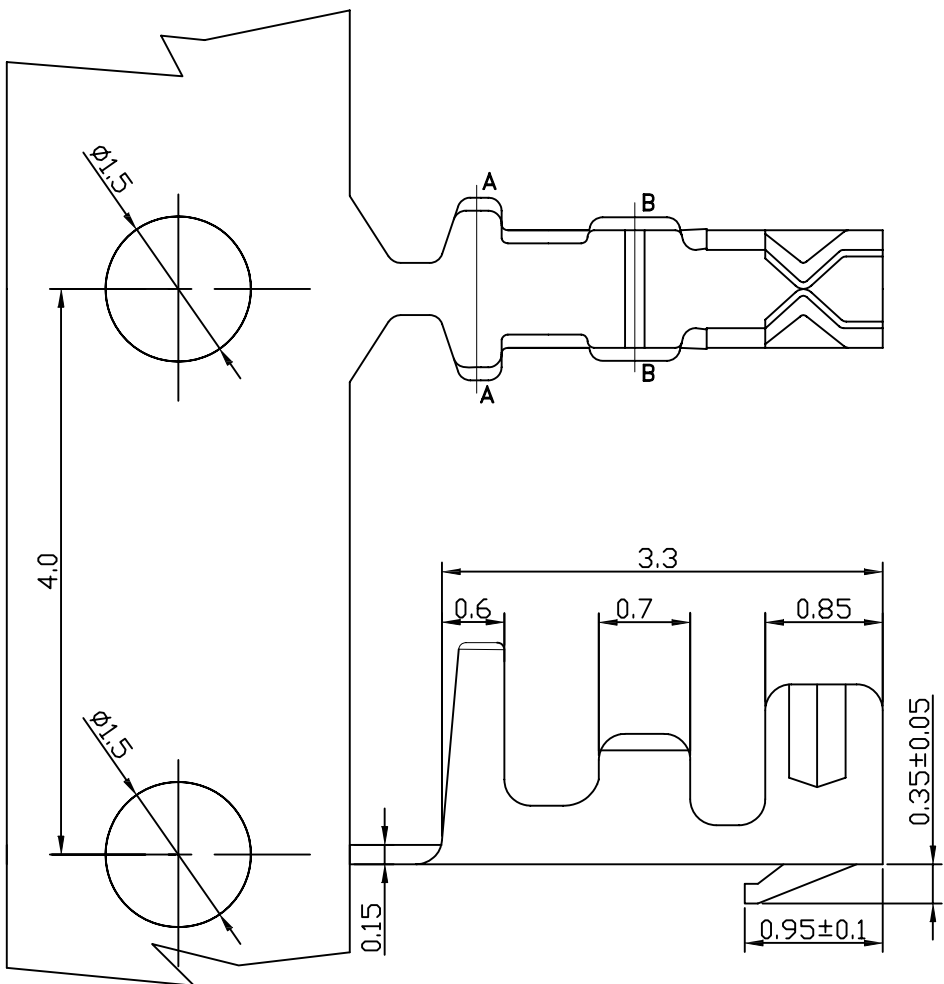


Part No.	Dimensions	
	A	B
A1251H-02P	1.25	4.25
A1251H-03P	2.50	5.50
A1251H-04P	3.75	6.75
A1251H-05P	5.00	8.00
A1251H-06P	6.25	9.25
A1251H-07P	7.50	10.50
A1251H-08P	8.75	11.75
A1251H-09P	10.00	13.00
A1251H-10P	11.25	14.25
A1251H-11P	12.50	15.50
A1251H-12P	13.75	16.75
A1251H-13P	15.00	18.00
A1251H-14P	16.25	19.25
A1251H-15P	17.50	20.50

CNJM Joint More Precision electronics Co.,Ltd.

DIM	TOL	DIM	TOL	DESIGN:	陈雪峰	DATE:	2017.06.03	P/N NO:	A1251H-NP	DRAW NAME:	1.25mm pitch housing
X.	/	X*	/	CHECK:	杨焱	REV. A/1	SCALE 1:1	UNIT:	mm	SHEET:	1 OF 1
X.X	0.25	X.X*		REVIEW:							
X.XX	0.15	X.XX*									
X.XXX	0.10	X.XXX*	/								

REV.	ECN NO.	DESCRIPTION	DATE	DESIGN
A				



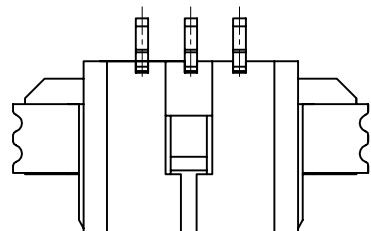
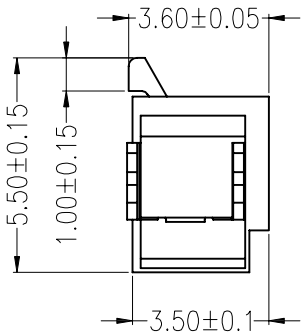
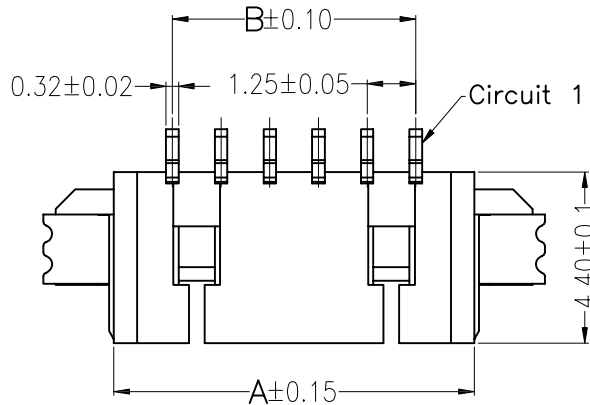
CNJM Joint More Precision electronics Co.,Ltd.

A1251-TPE	AWG #28-#32	1.00mm(max)	Phosphor Bronze	Tin over Nickel	15000PCS
Part NO.	Wire Range	Insulation O.D.	Material	Finish	Qty/reel

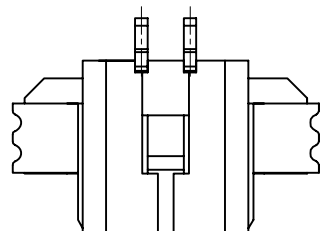
DIM	TOL	DIM	TOL
X.	/	X*	/
X.X	0.25	X.X*	
X.XX	0.15	X.XX*	
X.XXX	0.10	X.XXX*	/

DRAW NO.		DATE	P/N NO:	DRAW NAME:
DESIGN:	陈雪峰	2017.06.03	A1251-TPE	1.25mm pitch terminal
CHECK:	杨焯			
REVIEW:			REV. A/1	SCALE 1:1
			UNIT: mm	SHEET: 1 OF 1

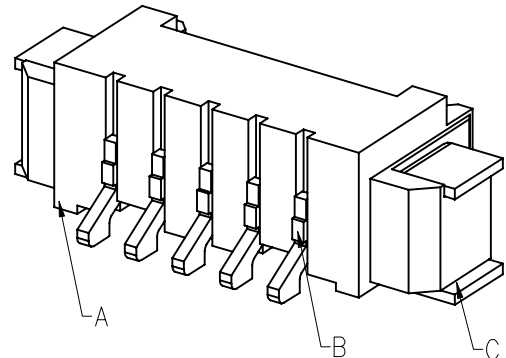
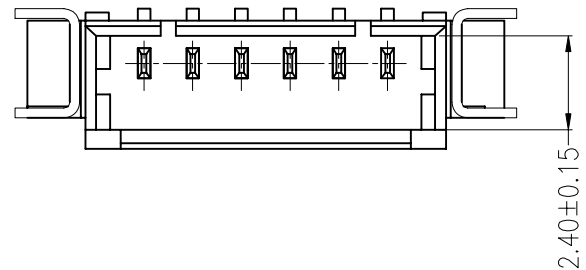
REV.	ECN NO.	DESCRIPTION	DATE	DESIGN
A				



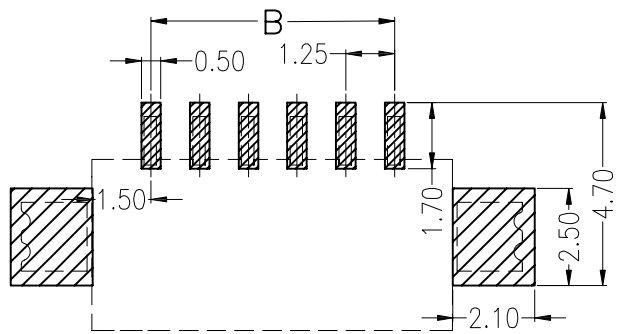
3PIN 图示



2PIN 图示



PART NO.	Dimensions	
	A	B
A1251WR-S-02P	4.25	1.25
A1251WR-S-03P	5.50	2.50
A1251WR-S-04P	6.75	3.75
A1251WR-S-05P	8.00	5.00
A1251WR-S-06P	9.25	6.25
A1251WR-S-07P	10.50	7.50
A1251WR-S-08P	11.75	8.75
A1251WR-S-09P	13.00	10.00
A1251WR-S-10P	14.25	11.25
A1251WR-S-11P	15.50	12.50
A1251WR-S-12P	16.75	13.75
A1251WR-S-13P	18.00	15.00
A1251WR-S-14P	19.25	16.25
A1251WR-S-15P	20.50	17.50



P.C.B LAYOUT

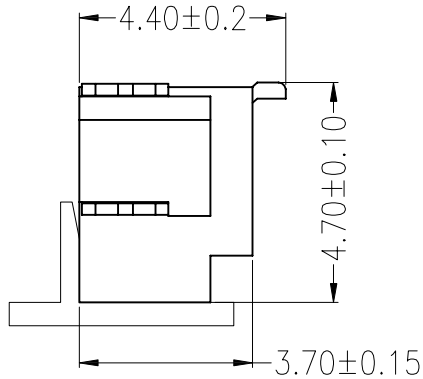
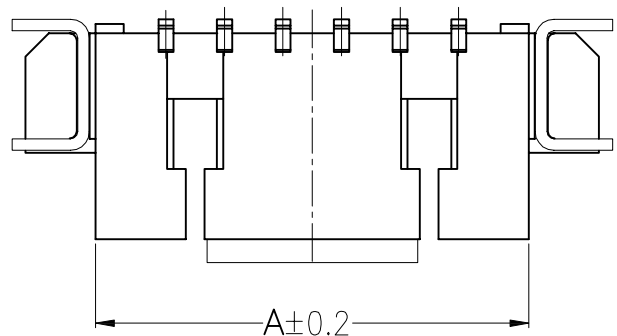
Specifications:
 Current rating:1A AC/DC.
 Voltage rating:125V AC/DC
 Temperature range:-40°C~+105°C.
 Contact resistance:20MΩ Max.
 Insulation resistance:100MΩ Min.
 Withstanding voltage: 500V AC/minute.
 Material:LCP.UL94V-0.

DIM	TOL	DIM	TOL
X.	/	X°.	/
X.X	0.25	X.X°.	
X.XX	0.15	X.XX°.	
X.XXX	0.10	X.XXX°.	/

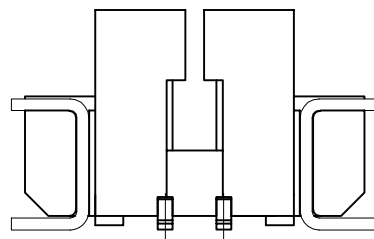
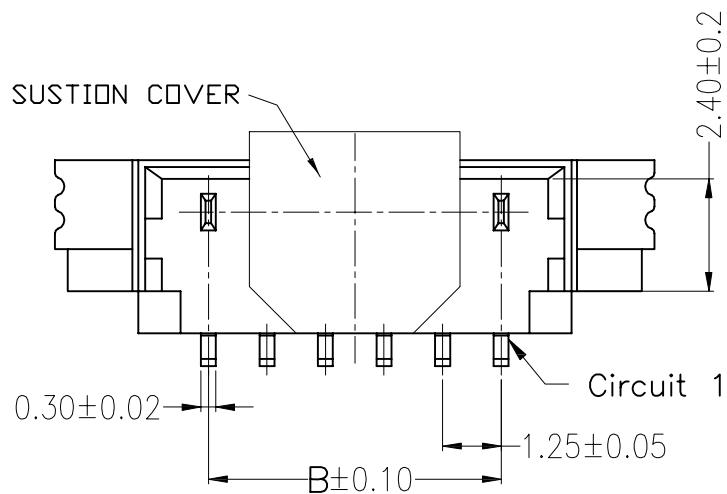
CNJM Joint More Precision electronics Co.,Ltd.

DRAW NO.	DATE	P/N NO.	DRAW NAME:
DESIGN: 陈雪峰	2017.06.03	A1251WR-S-NP	1.25mm pitch wafer
CHECK: 杨焯			
REVIEW:		REV. A/1	SCALE 1:1
		UNIT: mm	SHEET 1 OF 1

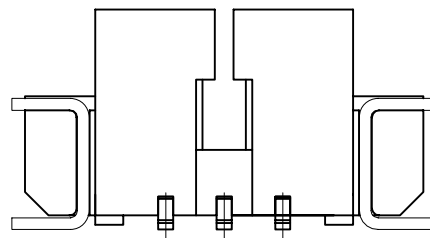
REV.	ECN NO.	DESCRIPTION	DATE	DESIGN
A				



Specifications:
 Current rating:1A AC/DC.
 Voltage rating:125V AC/DC
 Temperature range:-40°C~+105°C.
 Contact resistance:20MΩ Max.
 Insulation resistance:100MΩ Min.
 Withstanding voltage: 500V AC/minute.
 Material:LCP.UL94V-0.

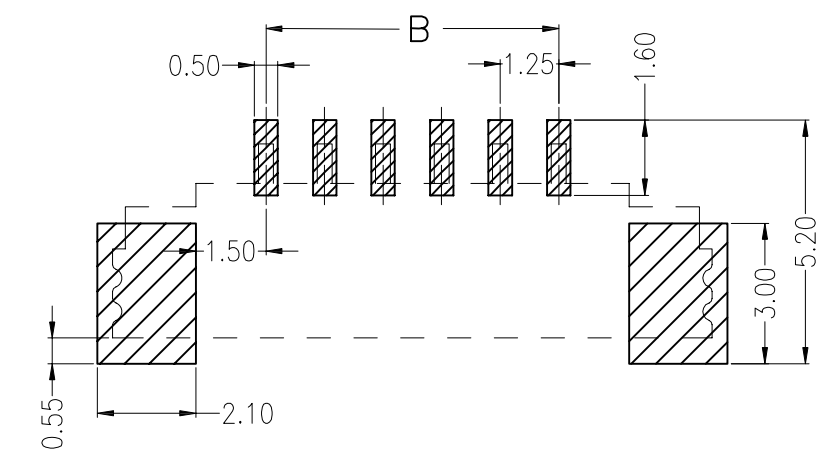


2PIN 图示



3PIN 图示

PART NO.	Dimensions	
	A	B
A1251WV-S-02P	4.25	1.25
A1251WV-S-03P	5.50	2.50
A1251WV-S-04P	6.75	3.75
A1251WV-S-05P	8.00	5.00
A1251WV-S-06P	9.25	6.25
A1251WV-S-07P	10.50	7.50
A1251WV-S-08P	11.75	8.75
A1251WV-S-09P	13.00	10.00
A1251WV-S-10P	14.25	11.25
A1251WV-S-11P	15.50	12.50
A1251WV-S-12P	16.75	13.75
A1251WV-S-13P	18.00	15.00
A1251WV-S-14P	19.25	16.25
A1251WV-S-15P	20.50	17.50



P.C.B LAYOUT

CNJM Joint More Precision electronics Co.,Ltd.

DRAW NO.	DATE	P/N NO.	DRAW NAME:
DESIGN: 陈雪峰	2017.06.03	A1251WV-S-NP	1.25mm pitch wafer
CHECK: 杨焯			
REVIEW:		REV. A/1	SCALE 1:1

DIM	TOL	DIM	TOL
X.	/	X°.	/
X.X	0.25	X.X°	
X.XX	0.15	X.XX°	
X.XXX	0.10	X.XXX°	/

UNIT: mm SHEET: 1 OF 1