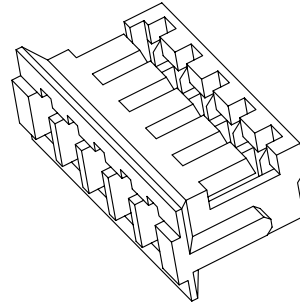
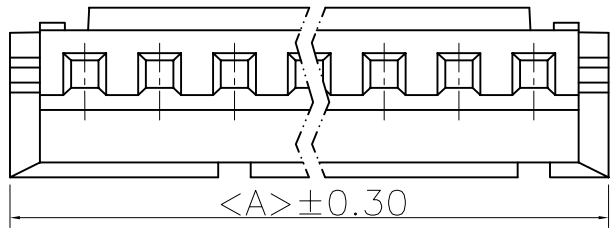
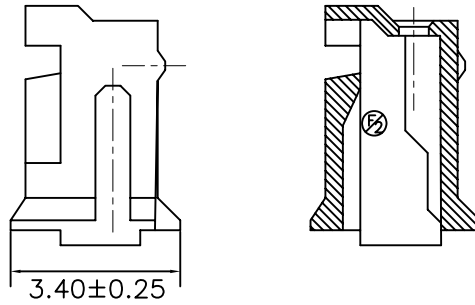
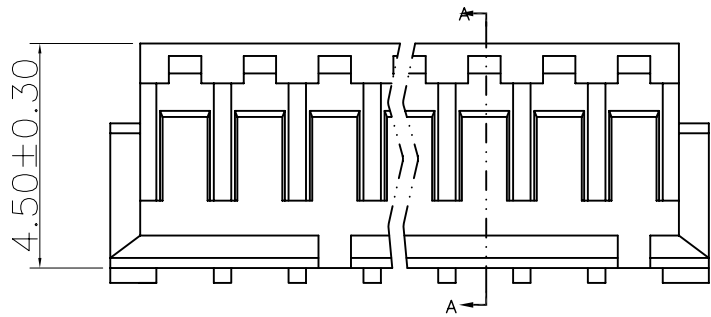


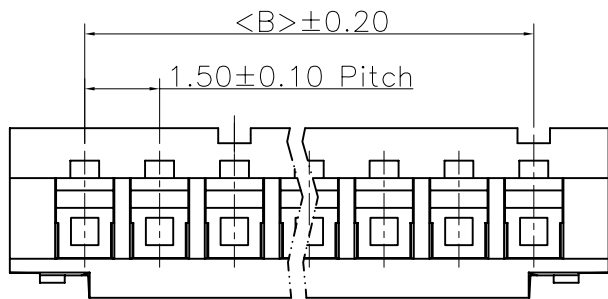
REV.	ECN NO.	DESCRIPTION	DATE	DESIGN
A				



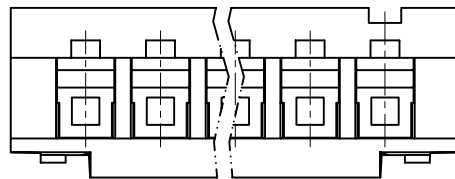
Specifications:  
 Current rating:1A AC/DC.  
 Voltage rating:100V AC/DC  
 Temperature range:-40°C~+105°C.  
 Contact resistance:20MΩ Max.  
 Insulation resistance:500MΩ Min.  
 Withstanding voltage: 500V AC/minute.  
 Material:PA66.UL94V-0.



SECTION: (A-A)



6P以上结构



2-5P结构

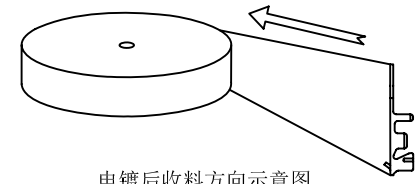
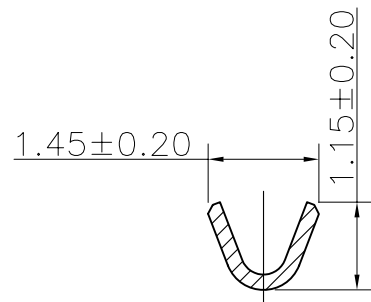
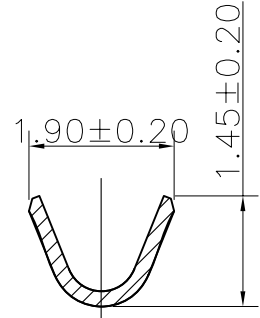
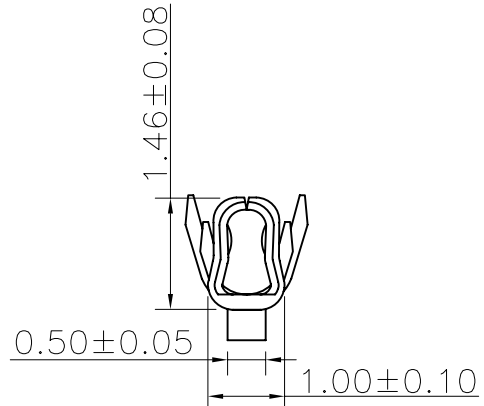
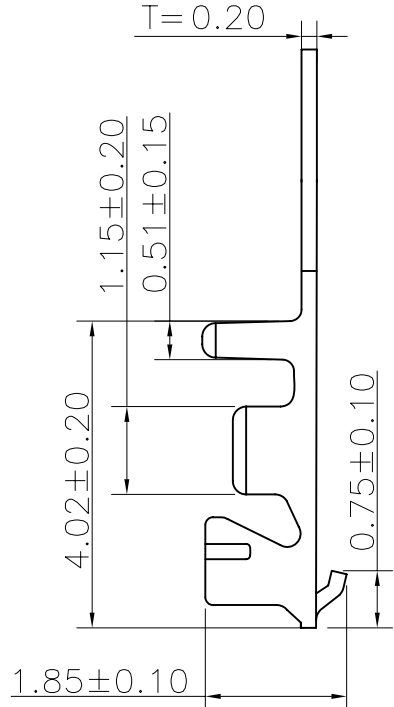
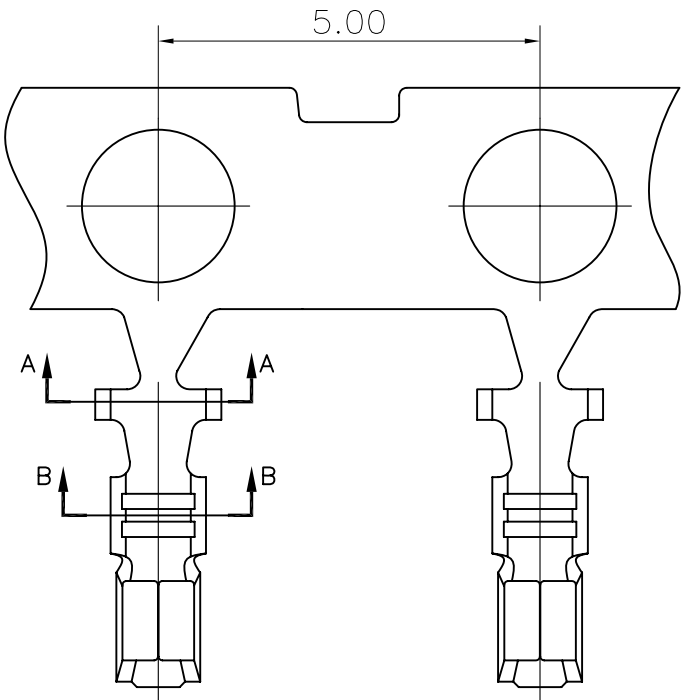
Part No.	PIN	Dimension	
		A	B
A1501H-02P	02	4.50	1.50
A1501H-03P	03	6.00	3.00
A1501H-04P	04	7.50	4.50
A1501H-05P	05	9.00	6.00
A1501H-06P	06	10.5	7.50
A1501H-07P	07	12.00	9.00
A1501H-08P	08	13.50	10.50
A1501H-09P	09	15.00	12.00
A1501H-10P	10	16.50	13.50
A1501H-11P	11	18.00	15.00
A1501H-12P	12	19.50	16.50
A1501H-13P	13	21.00	18.00

**CNJM** Joint More Precision electronics Co.,Ltd.

DRAW NO.	DATE	P/N NO:	DRAW NAME:
DESIGN: 陈雪峰	2017.06.03	A1501H-NP	1.5mm pitch housing
CHECK: 杨焯		REV. A/1	SCALE 1:1
REVIEW:		UNIT: mm	SHEET: 1 OF 1

DIM	TOL	DIM	TOL
X.	/	X'	/
X.X	0.25	X.X'	/
X.XX	0.15	X.XX'	/
X.XXX	0.10	X.XXX'	/

REV.	ECN NO.	DESCRIPTION	DATE	DESIGN
A				



电镀后收料方向示意图  
(打线开口朝外)

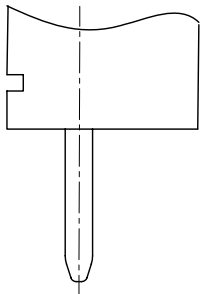
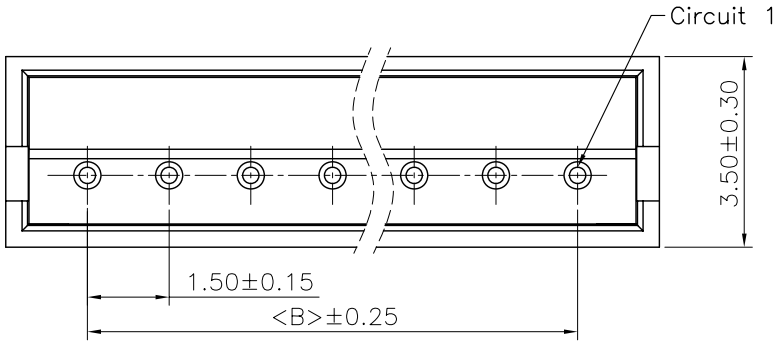
A1501-XXX	PHOSPHOR BRONZE	AWG #26~#32	1.10mm	Pin-plated	10000
PART No	MATERIALS	WIRE RANGE	INSULATION O.D.	FINISH	Qty/reel

DIM	TOL	DIM	TOL
X.	/	X.	/
X.X	0.25	X.X'	
X.XX	0.15	X.XX'	
X.XXX	0.10	X.XXX'	/

**CNJM** Joint More Precision electronics Co.,Ltd.

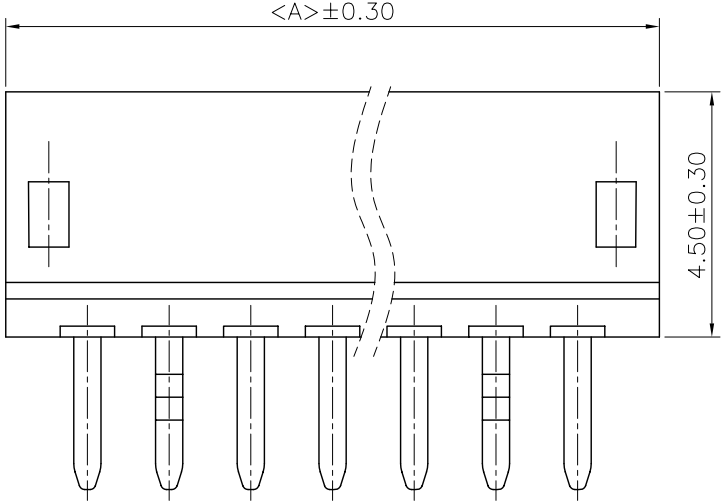
DRAW NO.	DATE	P/N NO:	DRAW NAME:
DESIGN: 陈雪峰	2017.06.03	A1501-XXX	1.5mm pitch Terminal
CHECK: 杨焜			
REVIEW:		REV. A/1	SCALE 1:1
		UNIT: mm	SHEET: 1 OF 1

REV.	ECN NO.	DESCRIPTION	DATE	DESIGN
A				

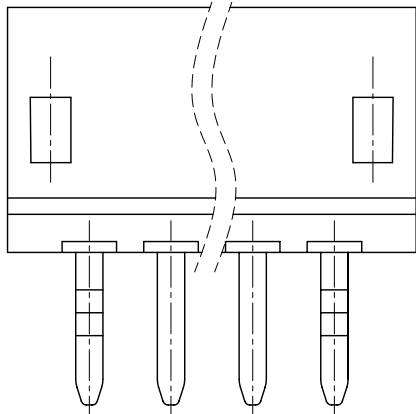


无“K”

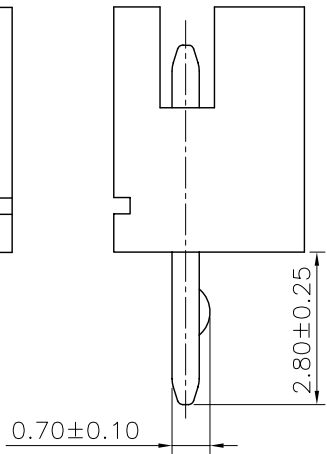
Specifications:  
 Current rating:1A AC/DC.  
 Voltage rating:1000V AC/DC  
 Temperature range:-40°C~+105°C.  
 Contact resistance:20MΩ Max.  
 Insulation resistance:500MΩ Min.  
 Withstanding voltage: 500V AC/minute.  
 Material:PA66+GF15.Ul94V-0.



B TYPE(5~13Pin)



A TYPE(2~4Pin)

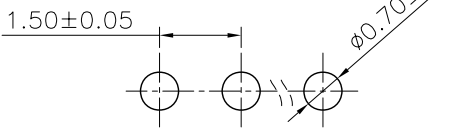


有“K”

Ordering Informaiton&Dimensions:

PART NO.	Dimensions	
	A	B
A1501WV-02P	4.50	1.50
A1501WV-03P	6.00	3.00
A1501WV-04P	7.50	4.50
A1501WV-05P	9.00	6.00
A1501WV-06P	10.50	7.50
A1501WV-07P	12.00	9.00
A1501WV-08P	13.50	10.50
A1501WV-09P	15.00	12.00
A1501WV-10P	16.50	13.50
A1501WV-11P	18.00	15.00
A1501WV-12P	19.50	16.50
A1501WV-13P	21.00	18.00

P.C.B Thickness = 1.20mm  
(Tolerance=±0.05)



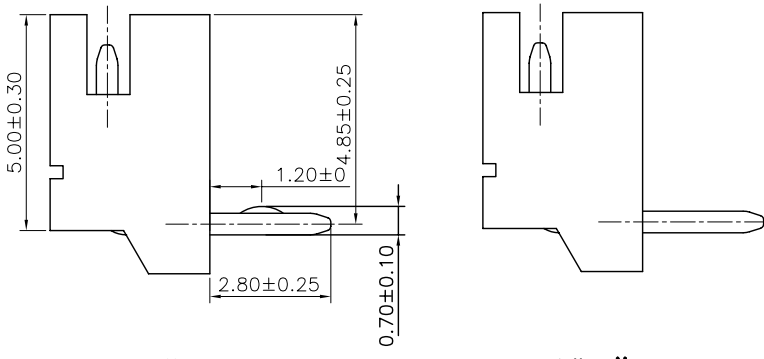
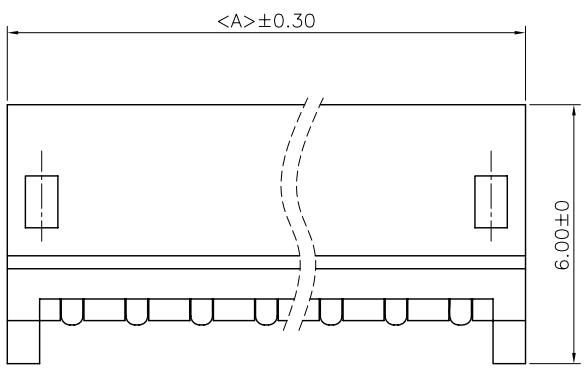
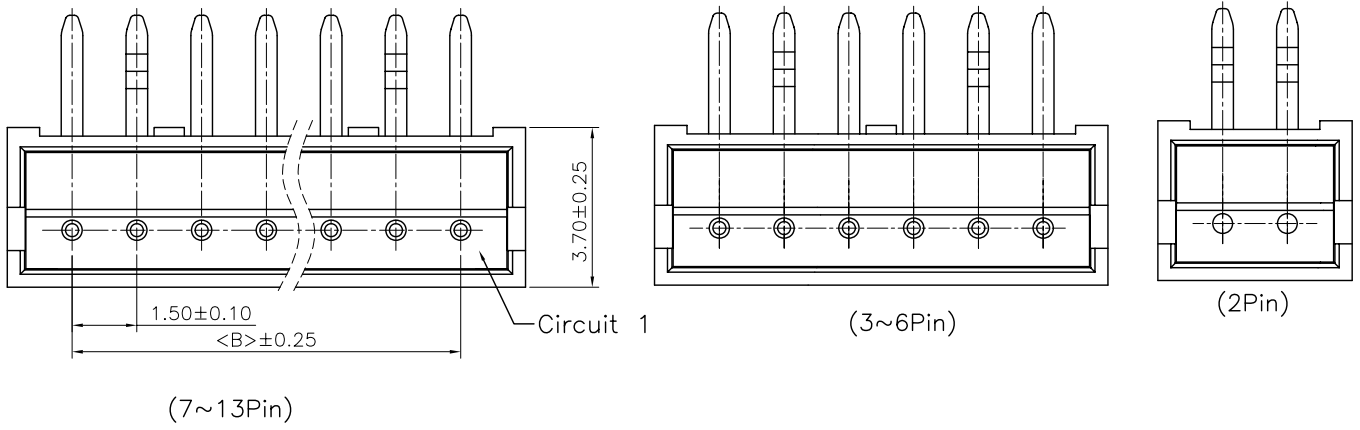
DIM	TOL	DIM	TOL
X.	/	X'.	/
X.X	0.25	X.X'	/
X.XX	0.15	X.XX'	/
X.XXX	0.10	X.XXX'	/

**CNJM** Joint More Precision electronics Co.,Ltd.

DRAW NO.	DATE	P/N NO:	DRAW NAME:
DESIGN: 陈雪峰	2017.06.03	A1501WV-NP	1.5mm pitch 180° wafer
CHECK: 杨焯		REV. A/1	SCALE 1:1
REVIEW:		UNIT: mm	SHEET: 1 OF 1

REV.	ECN NO.	DESCRIPTION	DATE	DESIGN
A				

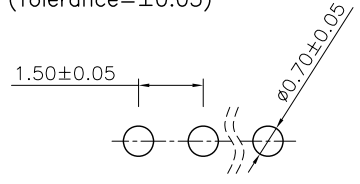
Specifications:  
 Current rating:1A AC/DC.  
 Voltage rating:100V AC/DC  
 Temperature range:-40°C~+105°C.  
 Contact resistance:20MΩ Max.  
 Insulation resistance:500MΩ Min.  
 Withstanding voltage: 500V AC/minute.  
 Material:PA66+GF15.Ul94V-0.



Ordering Informaiton&Dimensions:

PART NO.	Dimensions	
	A	B
A1501WR-02P	4.50	1.50
A1501WR-03P	6.00	3.00
A1501WR-04P	7.50	4.50
A1501WR-05P	9.00	6.00
A1501WR-06P	10.50	7.50
A1501WR-07P	12.00	9.00
A1501WR-08P	13.50	10.50
A1501WR-09P	15.00	12.00
A1501WR-10P	16.50	13.50
A1501WR-11P	18.00	15.00
A1501WR-12P	19.50	16.50
A1501WR-13P	21.00	18.00

Recommended P.C.B Layout(Top Side)  
 P.C.B Thickness = 1.20mm  
 (Tolerance=±0.05)



**CNJM** Joint More Precision electronics Co.,Ltd.

DRAW NO.	DATE	P/N NO:	DRAW NAME:
DESIGN: 陈雪峰	2017.06.03	A1501WR-NP	1.5mm pitch 90° wafer
CHECK: 杨焯			
REVIEW:		REV. A/1	SCALE 1:1
		UNIT: mm	SHEET: 1 OF 1

DIM	TOL	DIM	TOL
X.	/	X'	/
X.X	0.25	X.X'	/
X.XX	0.15	X.XX'	/
X.XXX	0.10	X.XXX'	/