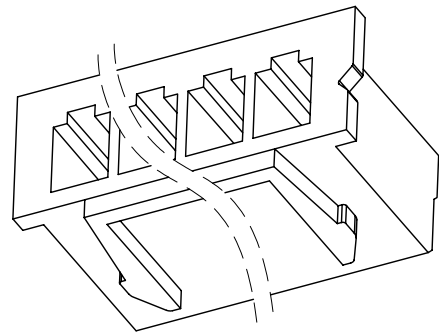
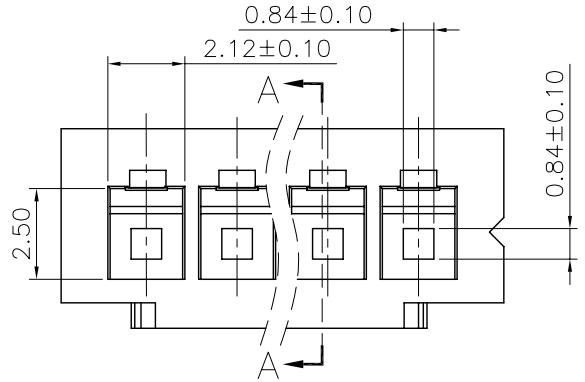
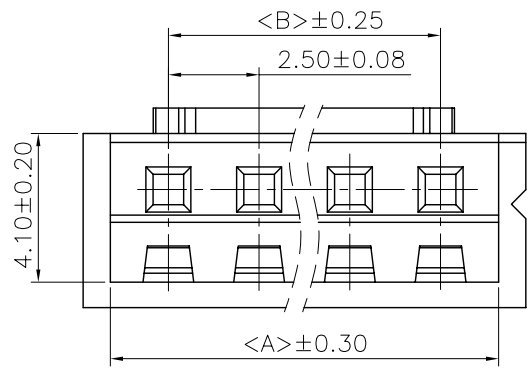
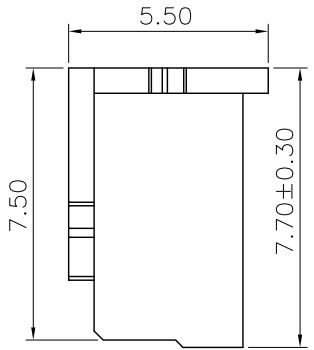
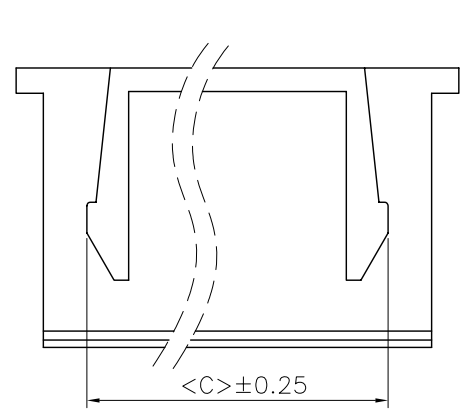


REV.	ECN NO.	DESCRIPTION	DATE	DESIGN
A				



Specifications:  
 Current rating:3A AC/DC.  
 Voltage rating:250V AC/DC  
 Temperature range:-40°C~+105°C.  
 Contact resistance:10MΩ Max.  
 Insulation resistance:1000MΩ Min.  
 Withstanding voltage: 800V AC/minute.  
 Material:PA66.UL94V-0.



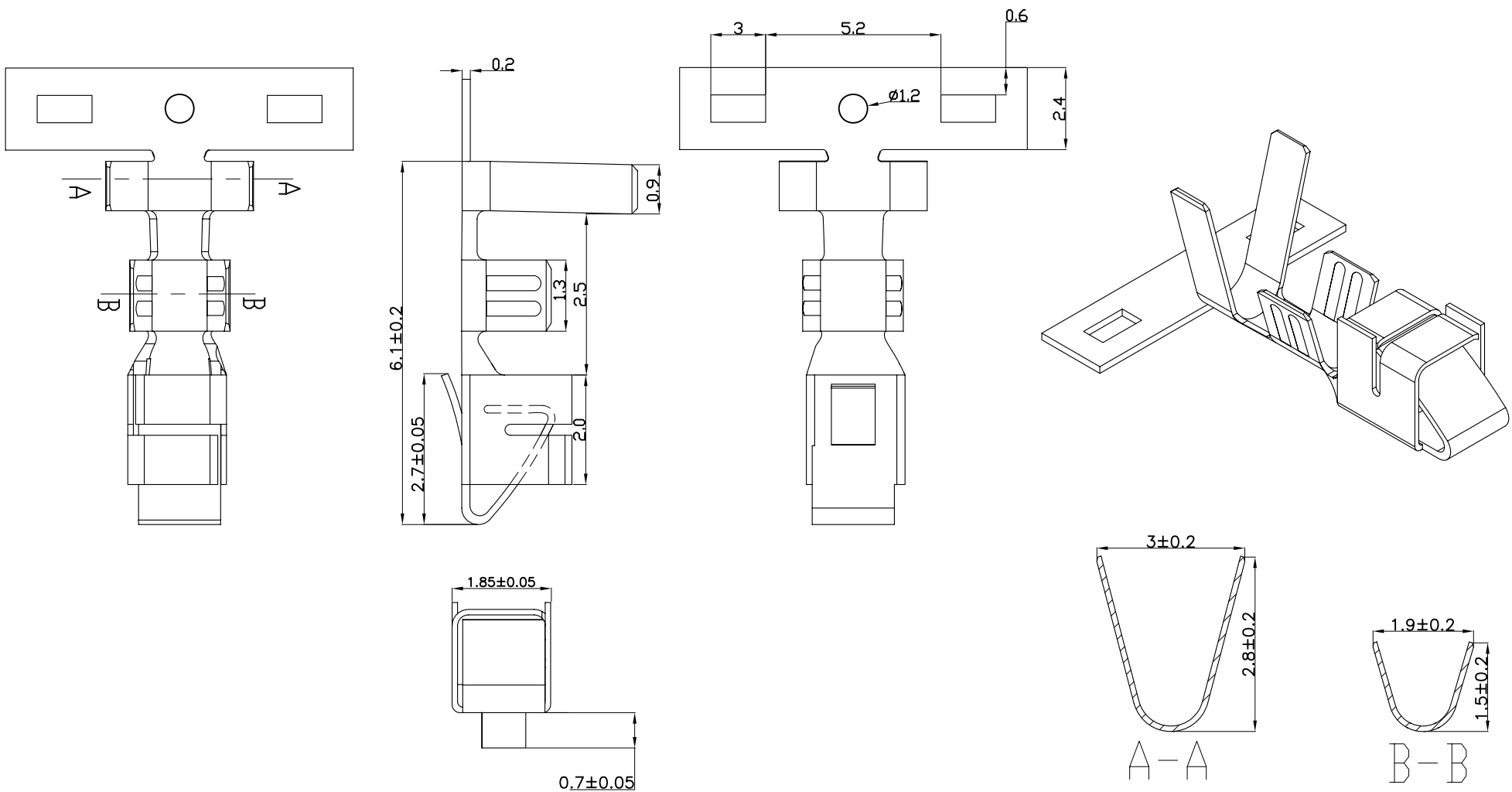
PART NO.	DIMENSIONS		
	A	B	C
A2501H-02P	5.7	2.5	3.3
A2501H-03P	8.2	5.0	5.8
A2501H-04P	10.7	7.5	8.3
A2501H-05P	13.2	10.0	10.8
A2501H-06P	15.7	12.5	13.3
A2501H-07P	18.2	15.0	15.8
A2501H-08P	20.7	17.5	18.3
A2501H-09P	23.2	20.0	20.8
A2501H-10P	25.7	22.5	23.3
A2501H-11P	28.2	25.0	25.8
A2501H-12P	30.7	27.5	28.3
A2501H-13P	33.2	30.0	30.8
A2501H-14P	35.7	32.5	33.3
A2501H-15P	38.2	35.0	35.8
A2501H-16P	40.7	37.5	38.3

**CNJM** Joint More Precision electronics Co.,Ltd.

DRAW NO.	DATE	P/N NO:	DRAW NAME:
DESIGN: 陈雪峰	2017.06.03	A2501H-NP	2.5mm pitch housing
CHECK: 杨焯			
REVIEW:		REV. A/1 SCALE 1:1	UNIT: mm SHEET: 1 OF 1

DIM	TOL	DIM	TOL
X.	/	X'	/
X.X	0.25	X.X'	/
X.XX	0.15	X.XX'	/
X.XXX	0.10	X.XXX'	/

REV.	ECN NO.	DESCRIPTION	DATE	DESIGN
A				



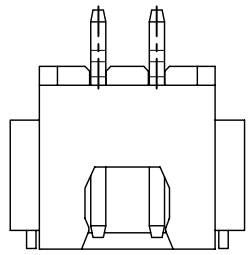
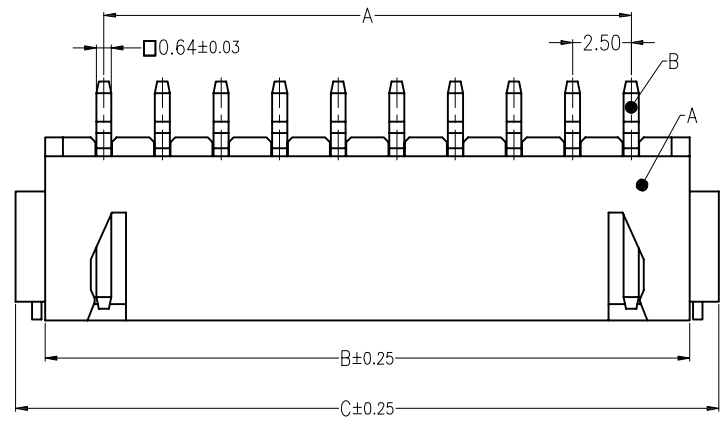
**CNJM** Joint More Precision electronics Co.,Ltd.

Part NO.	Wire range	Insulation O.D.	Materials	Finish	Qty/reel
A2501-TP	AWG#22-28	1.9mm(max)	Phosphor Bronze	Tin-plated	7000PCS
A2501-TPE	AWG#22-28	1.9mm(max)	Phosphor Bronze	Tin-plated	7000PCS

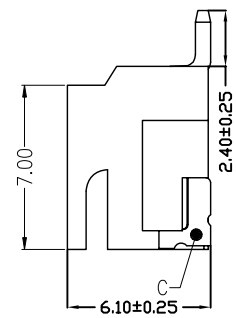
DIM	TOL	DIM	TOL
X.	/	X*	/
X.X	0.25	X.X*	
X.XX	0.15	X.XX*	
X.XXX	0.10	X.XXX*	/

DRAW NO.	DATE	P/N NO.	DRAW NAME:
DESIGN: 陈雪峰	2017.06.03	A2501-XXX	2.5mm pitch Terminal
CHECK: 杨焯			
REVIEW:		REV. A/1	SCALE 1:1
		UNIT: mm	SHEET: 1 OF 1

REV.	ECN NO.	DESCRIPTION	DATE	DESIGN
A				

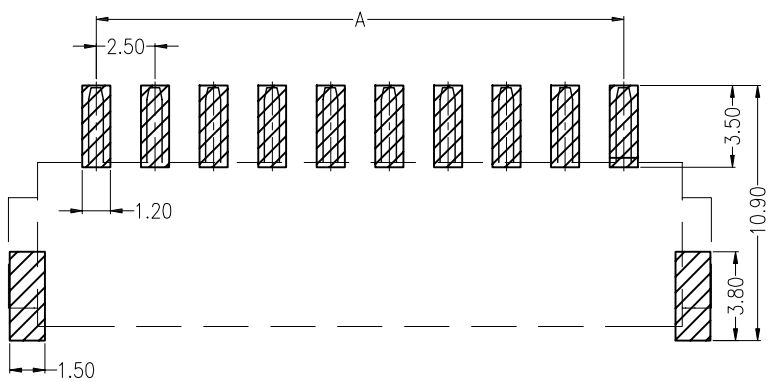
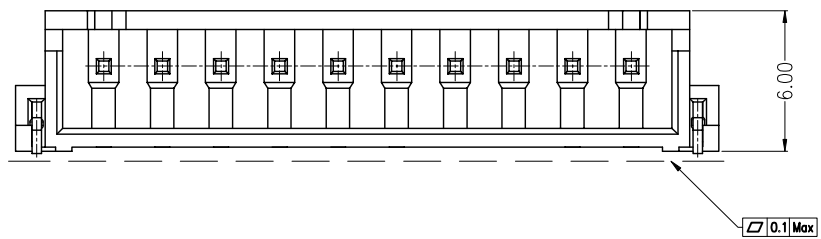


2PIN 示图



NOTES:

CURRENT RATING:3A AC/DC.  
 VOLTAGE RATING:250V AC/DC  
 TEMPERATURE RANGE:-40°C~+105°C.  
 CONTACT RESISTANCE:10MΩ Max.  
 INSULATION RESISTANCE:1000MΩ Min.  
 WITHSTANDING VOLTAGE: 800V AC/MINUTE.  
 MATERIAL:LCP/PA9T.UL94V-0.



P.C.B LAYOUT

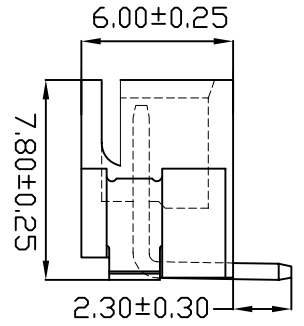
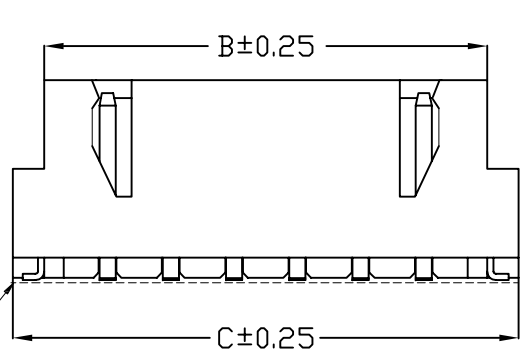
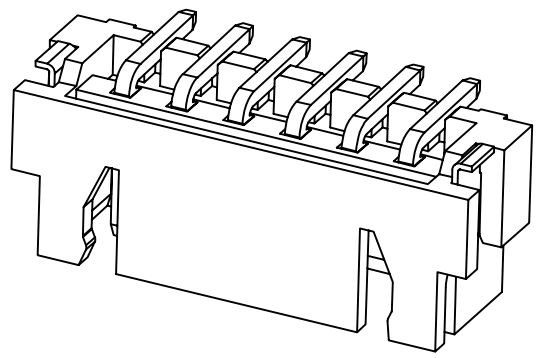
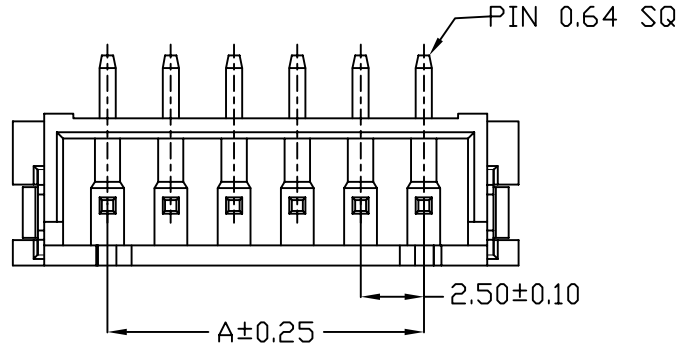
PART NO.	Dimensions (mm)		
	A	B	C
A2501WR-S-02P	2.50	7.50	10.00
A2501WR-S-03P	5.00	10.00	12.50
A2501WR-S-04P	7.50	12.50	15.00
A2501WR-S-05P	10.00	15.00	17.50
A2501WR-S-06P	12.50	17.50	20.00
A2501WR-S-07P	15.00	20.00	22.50
A2501WR-S-08P	17.50	22.50	25.00
A2501WR-S-09P	20.00	25.00	27.50
A2501WR-S-10P	22.50	27.50	30.00
A2501WR-S-11P	25.00	30.00	32.50
A2501WR-S-12P	27.50	32.50	35.00
A2501WR-S-13P	30.00	35.00	37.50
A2501WR-S-14P	32.50	37.50	40.00
A2501WR-S-15P	35.00	40.00	42.50
A2501WR-S-16P	37.50	42.50	45.00

**CNJM** Joint More Precision electronics Co.,Ltd.

DRAW NO.	DATE	P/N NO.	DRAW NAME:
DESIGN: 陈雪峰	2017.06.03	A2501WR-S-NP	2.5mm pitch wafer SMT
CHECK: 杨焯			
REVIEW:		REV. A/1	SCALE 1:1
		UNIT: mm	SHEET: 1 OF 1

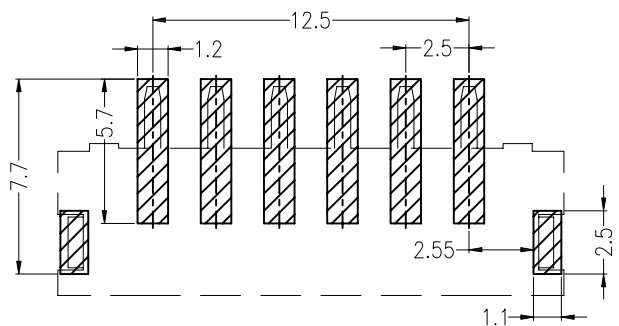
DIM	TOL	DIM	TOL
X.	/	X*	/
X.X	0.25	X.X*	
X.XX	0.15	X.XX*	
X.XXX	0.10	X.XXX*	/

REV.	ECN NO.	DESCRIPTION	DATE	DESIGN
A				



PART NO.	Dimensions (mm)		
	A	B	C
A2501WV-S-02P	2.50	7.50	10.00
A2501WV-S-03P	5.00	10.00	12.50
A2501WV-S-04P	7.50	12.50	15.00
A2501WV-S-05P	10.00	15.00	17.50
A2501WV-S-06P	12.50	17.50	20.00
A2501WV-S-07P	15.00	20.00	22.50
A2501WV-S-08P	17.50	22.50	25.00
A2501WV-S-09P	20.00	25.00	27.50
A2501WV-S-10P	22.50	27.50	30.00
A2501WV-S-11P	25.00	30.00	32.50
A2501WV-S-12P	27.50	32.50	35.00
A2501WV-S-13P	30.00	35.00	37.50
A2501WV-S-14P	32.50	37.50	40.00
A2501WV-S-15P	35.00	40.00	42.50
A2501WV-S-16P	37.50	42.50	45.00

NOTES:  
 CURRENT RATING:3A AC/DC.  
 VOLTAGE RATING:250V AC/DC  
 TEMPERATURE RANGE:-40°C~+105°C.  
 CONTACT RESISTANCE:10MΩ Max.  
 INSULATION RESISTANCE:1000MΩ Min.  
 WITHSTANDING VOLTAGE: 800V AC/MINUTE.  
 MATERIAL:LCP/PA9T.UL94V-0.



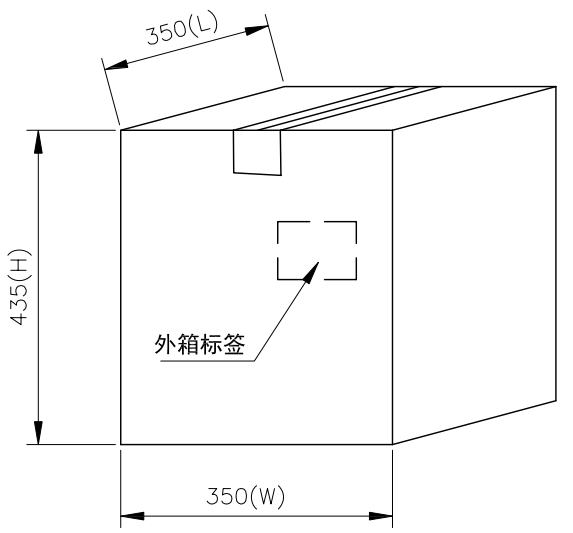
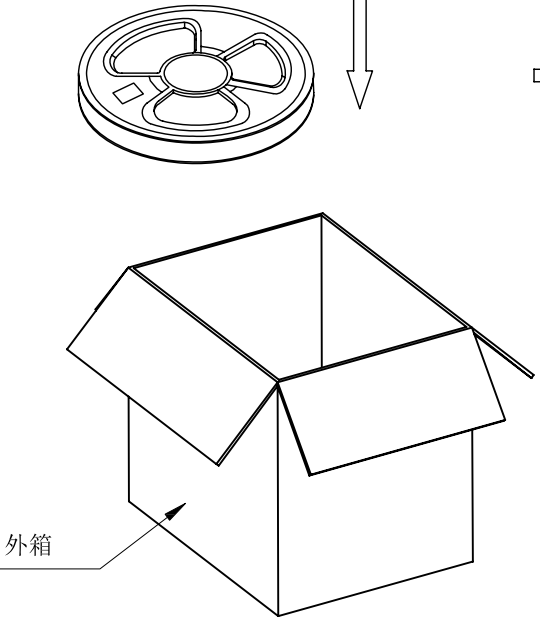
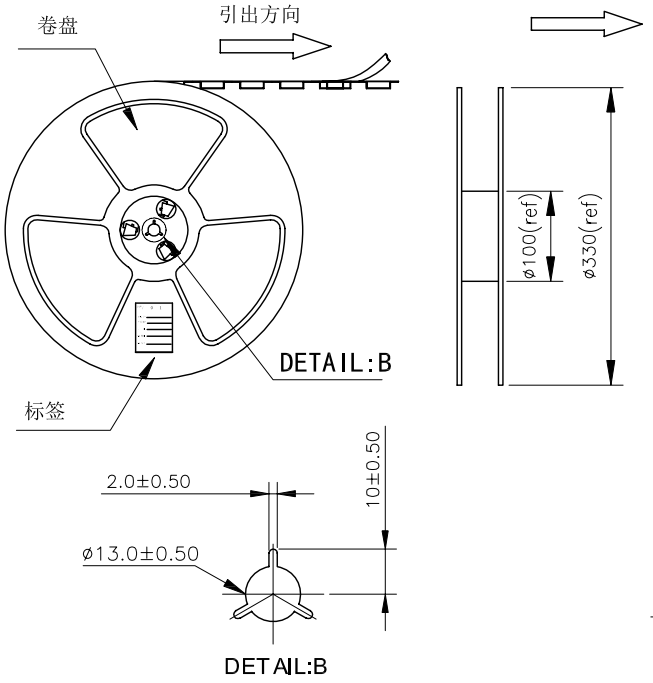
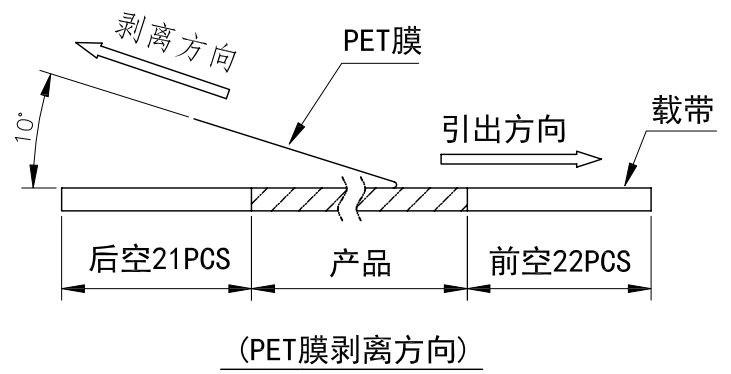
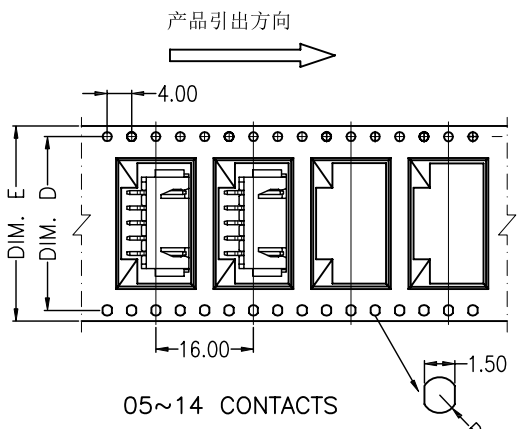
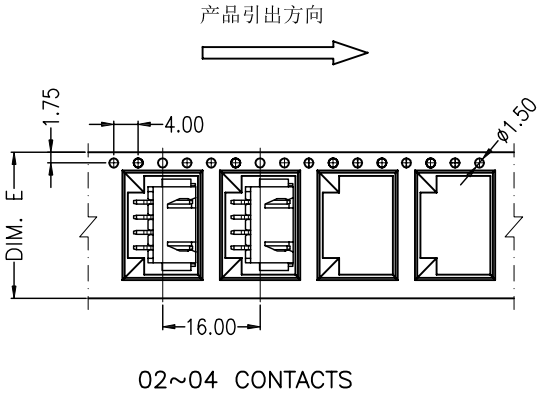
P. C. B LAYOUT

**CNJM** Joint More Precision electronics Co.,Ltd.

DRAW NO.	DATE	P/N NO:	DRAW NAME:
DESIGN: 陈雪峰	2017.06.03	A2501WV-S-NP	2.5mm pitch wafer SMT
CHECK: 杨 焯			
REVIEW:		REV. A/1	SCALE 1:1
		UNIT: mm	SHEET 1 OF 1

DIM	TOL	DIM	TOL
X.	/	X*	/
X.X	0.25	X.X*	
X.XX	0.15	X.XX*	
X.XXX	0.10	X.XXX*	/

REV.	ECN NO.	DESCRIPTION	DATE	DESIGN
A				



Circuits	DIM. D	DIM. E	Q'ty/Reel	Packing (Reel/Caton)
02-04PIN	-	24	701PCS	15/Reel
05-06PIN	28.4	32	701PCS	11/Reel
07-10PIN	40.4	44	701PCS	8/Reel
11-14PIN	52.4	56	701PCS	

DIM	TOL	DIM	TOL
X.	/	X*	/
X.X	0.25	X.X*	
X.XX	0.15	X.XX*	
X.XXX	0.10	X.XXX*	/

**CNJM** Joint More Precision electronics Co.,Ltd.

DRAW NO.	DATE	P/N NO.	DRAW NAME:
DESIGN: 陈雪峰	2017.06.24	A2501WR-S-NP	XH2.5 90° SMT卷装图
CHECK: 杨焯			
REVIEW:		REV. A/1	SCALE 1:1
		UNIT: mm	SHEET: 1 OF 1